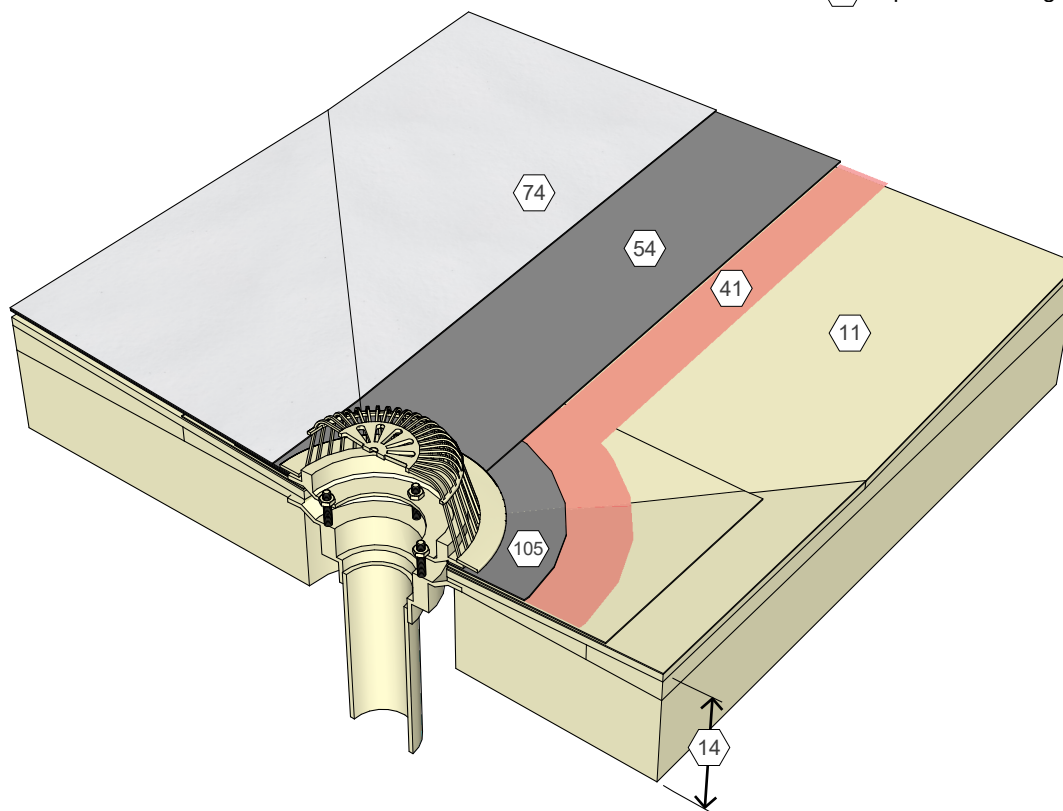
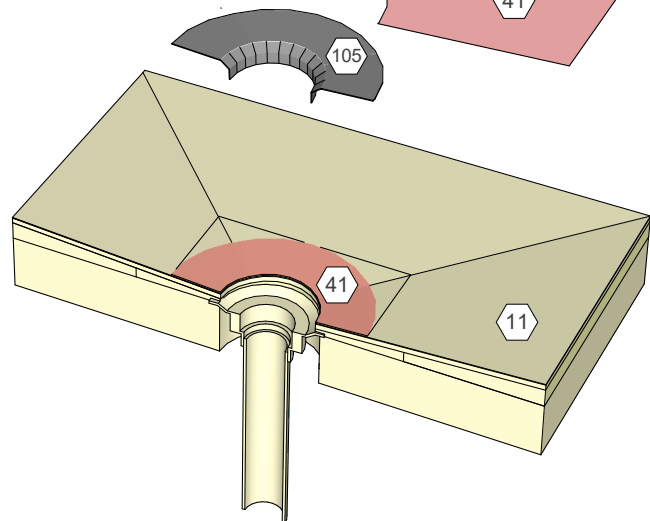
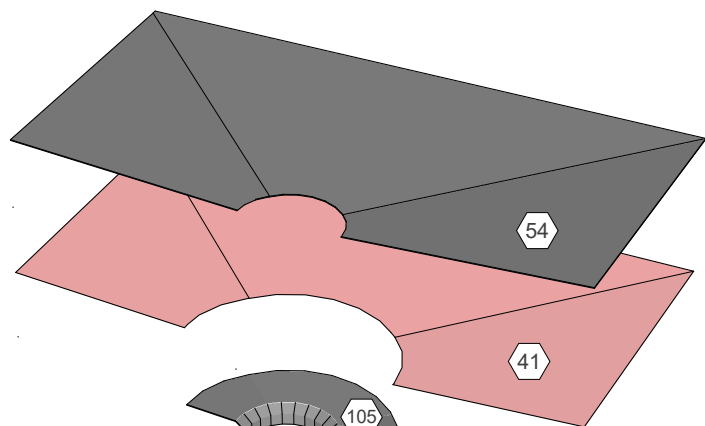
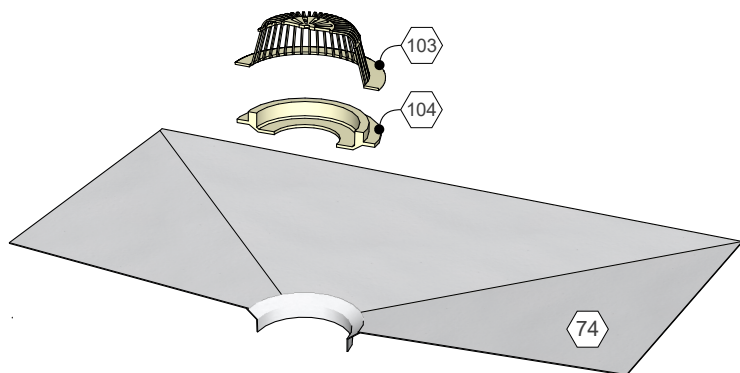


KEY NOTES

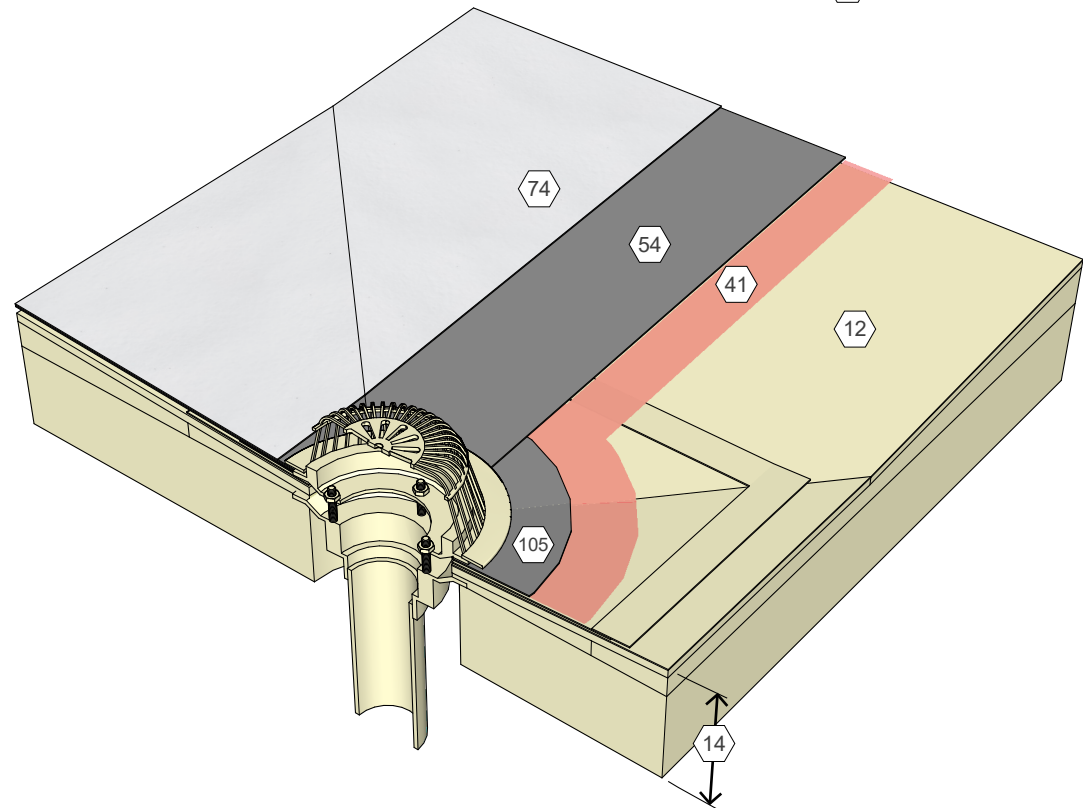
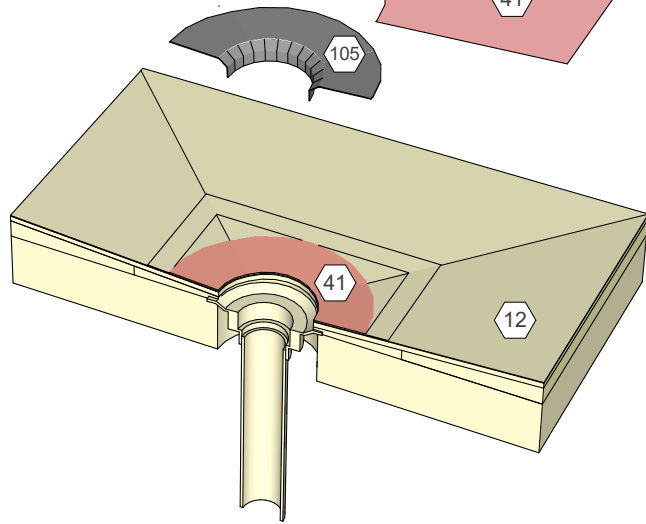
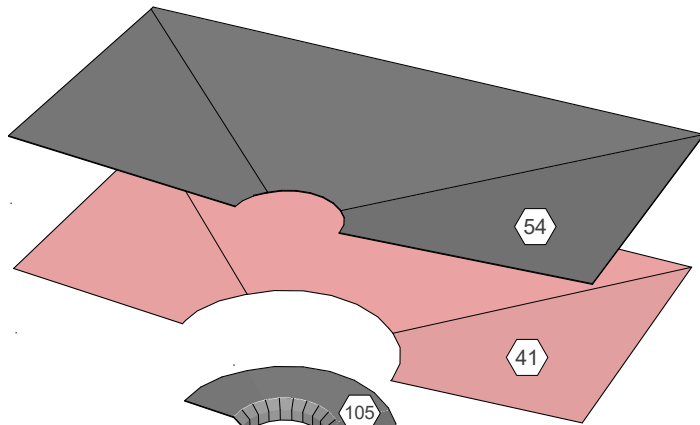
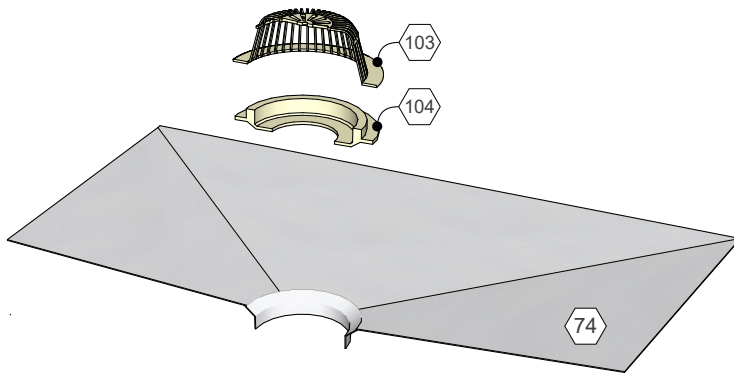
- 11 Existing Single-Ply Membrane
- 14 Existing Structural Deck and Insulation Assembly
- 41 Approved Primer
- 54 AlphaGuard Si Base Coat
- 62 Permafab
- 74 AlphaGuard Si Top Coat
- 103 Metal Drain Strainer
- 104 Clamping Ring
- 105 AlphaGuard Target Patch



AlphaGuard® Si Restoration Detail, Single-Ply, Roof Drain
Detail 16221

KEY NOTES

- 12 Existing MB or Smooth BUR
- 14 Existing Structural Deck and Insulation Assembly
- 41 Approved Primer
- 54 AlphaGuard Si Base Coat
- 62 Permafab
- 74 AlphaGuard Si Top Coat
- 103 Metal Drain Strainer
- 104 Clamping Ring
- 105 AlphaGuard Target Patch



AlphaGuard® Si Restoration Detail, MB or Smooth BUR, Roof Drain
Detail 16222